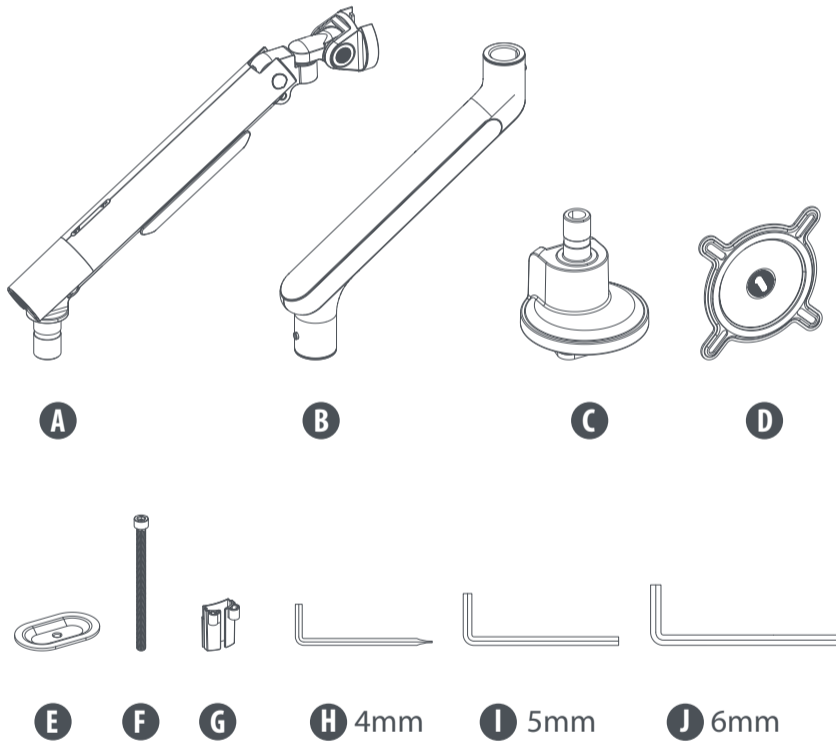
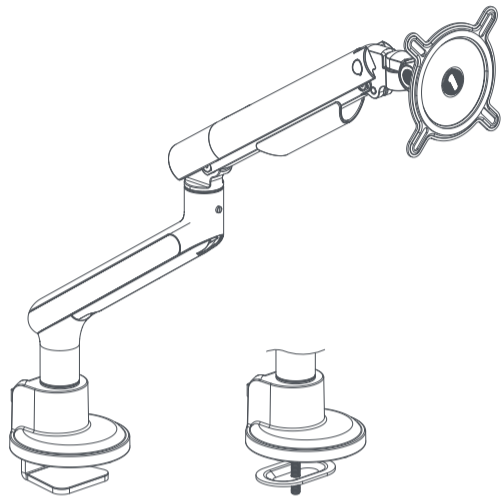




Universal
100 x 100 max



Package M

M-A 4 x M4x12mm



M-C 4 x D5



M-B 4 x M5x12mm



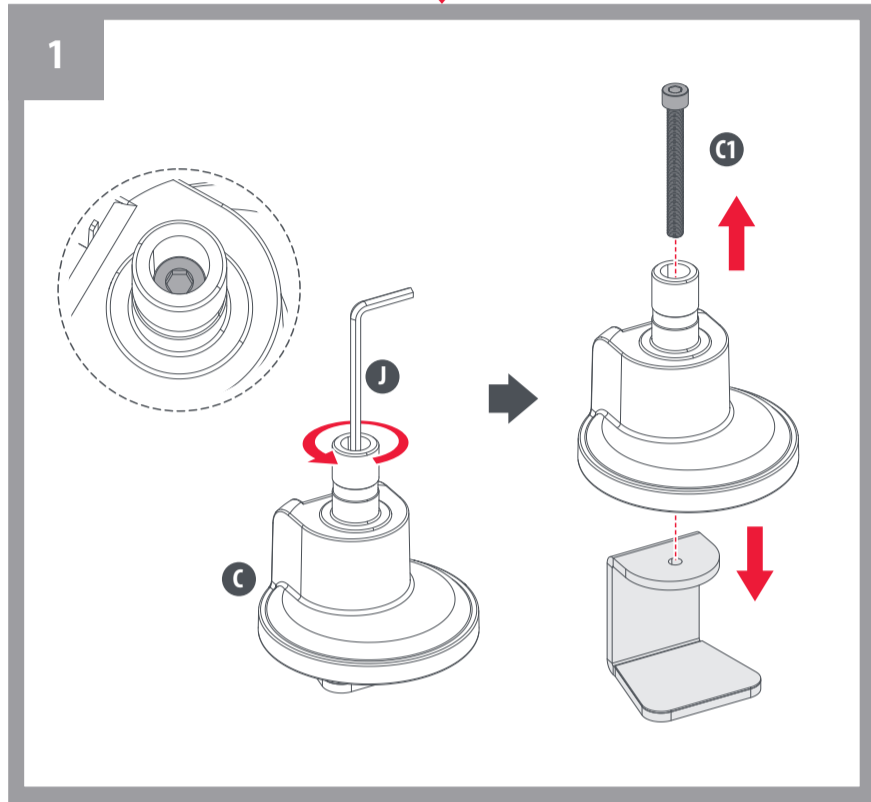
Separate the waste
Differenzia i Rifiuti



<http://www.oneforall.com/documents>

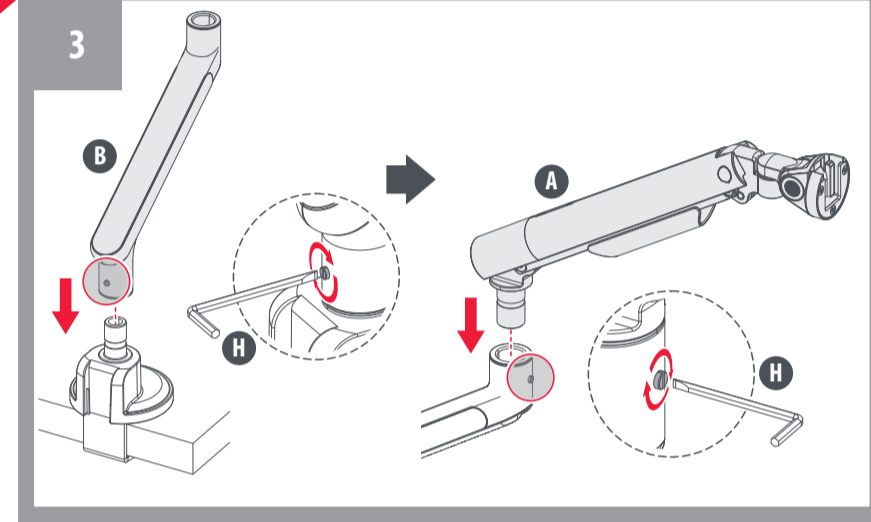
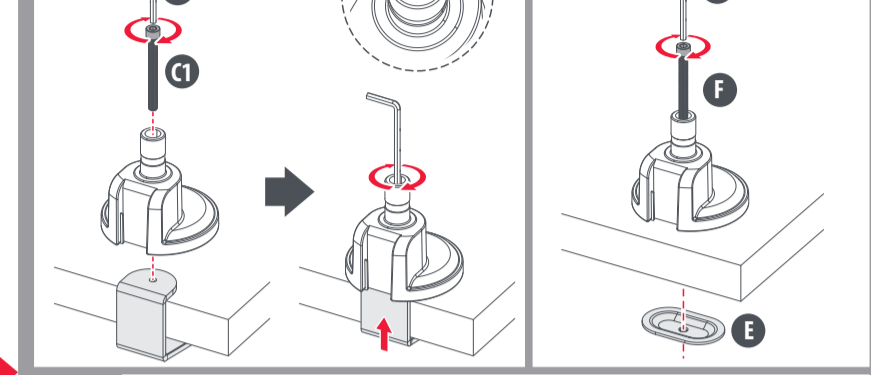
Universal Electronics B.V. - Europe & International
P.O. Box 3332, 7500 DH Enschede
The Netherlands
DM1110/DM1720
713665
RDL-1240424

START

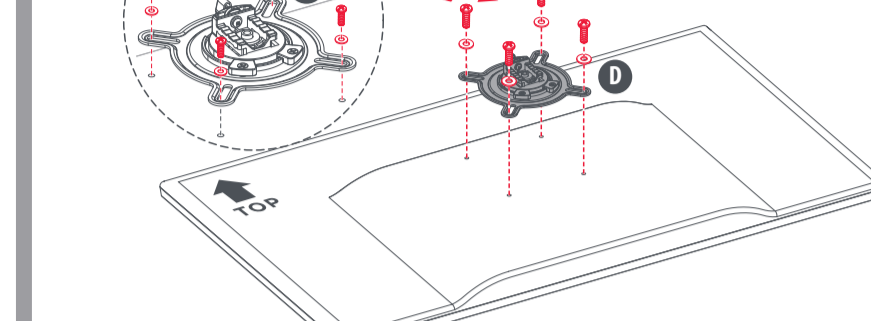


2a CLAMP INSTALLATION
for 10-50mm thickness desks

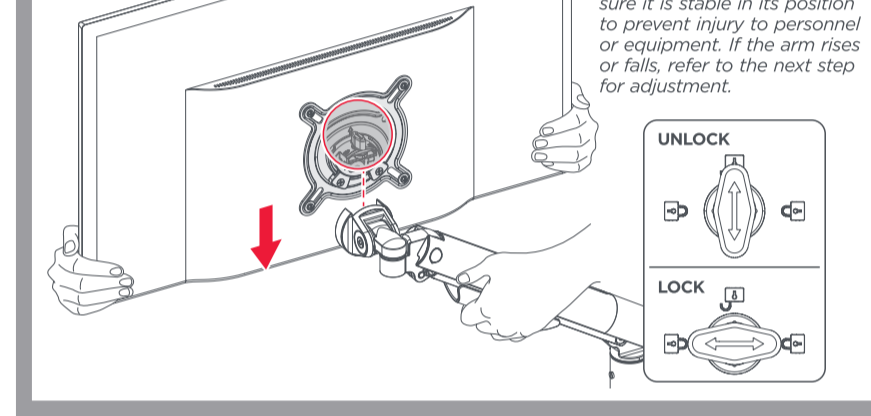
2b GROMMET INSTALLATION
for 10-50mm thickness desks
& Ø10-60mm installation holes



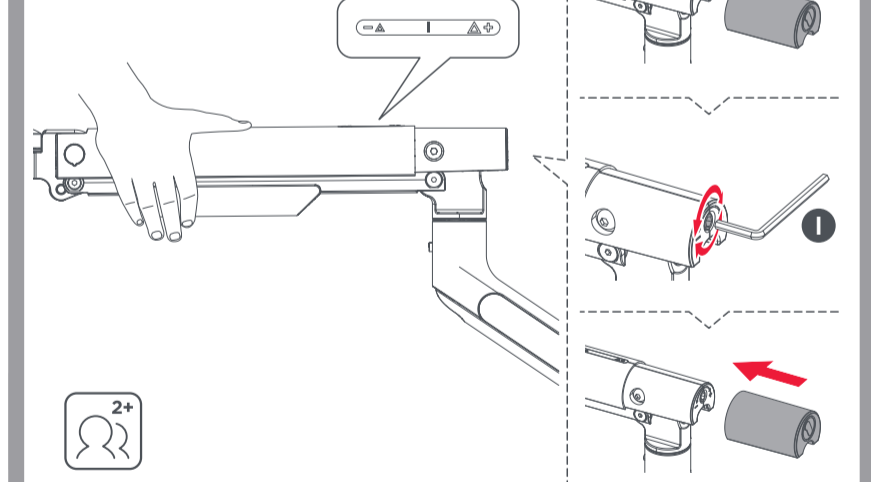
4



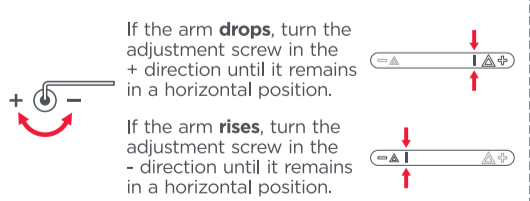
5



6

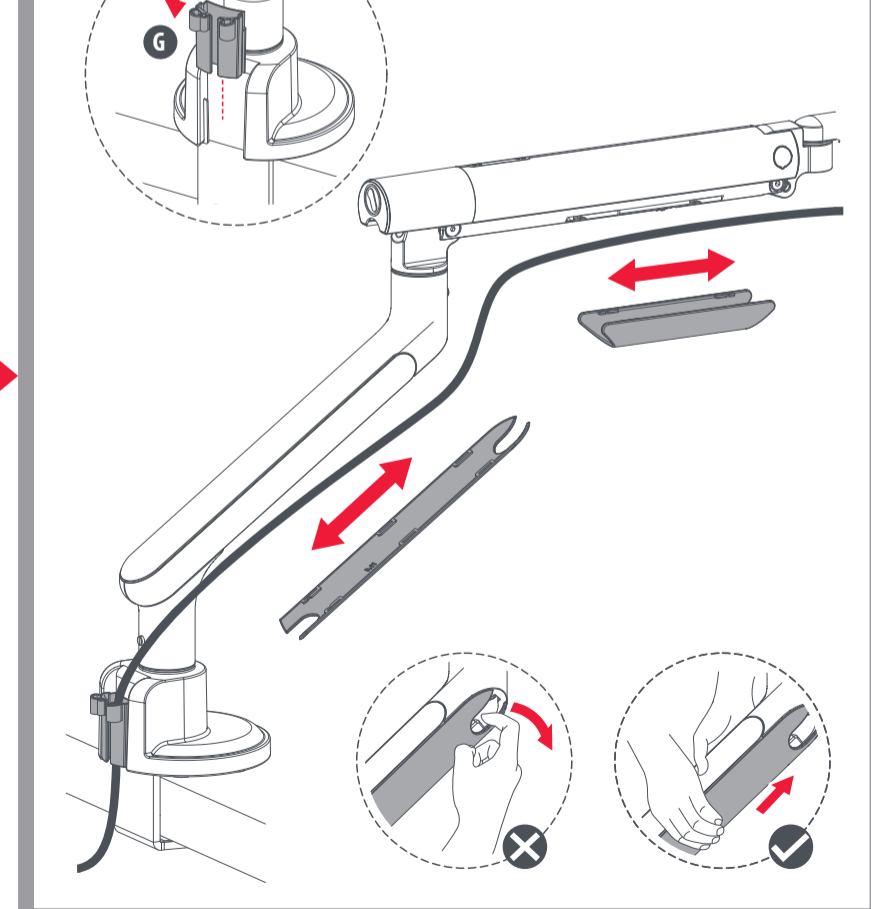


Before adjusting the spring tension and during the adjustment process, **position and hold the arm horizontally as shown**. Use the supplied Allen Key for adjustment. Ask for assistance should you require it.

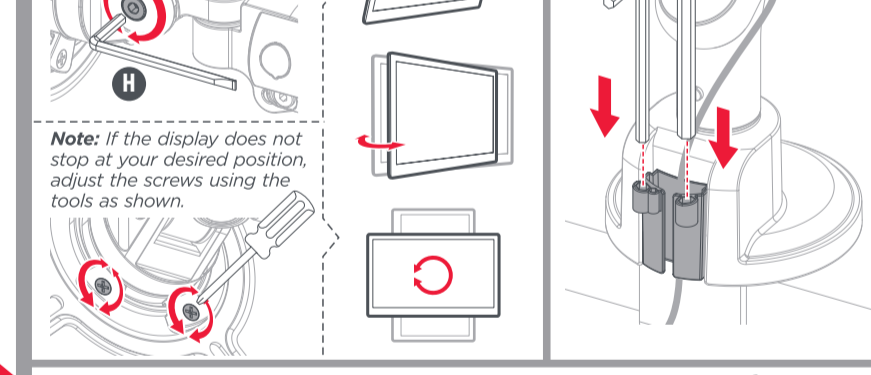


CAUTION:
Do not over tighten the screws.
To prevent damage to the Tension Indicator, never allow the Red Indicator Line move beyond the Caution Triangles found on the Left and Right Side of the display window.

7



Note: If the display does not stop at your desired position, adjust the screws using the tools as shown.



CAUTION: DO NOT rotate the monitor past rear edge of desk to avoid an unstable situation that may cause tipping.



FINISH